

REVISION SCHEDULE		
Delta	Issued As	Issue Date

SHEET TITLE:  
**BUILDING  
ELEVATIONS -  
NORTH  
BUILDING**

DRAWN BY: BTM  
CHECKED BY: REW  
SHEET:

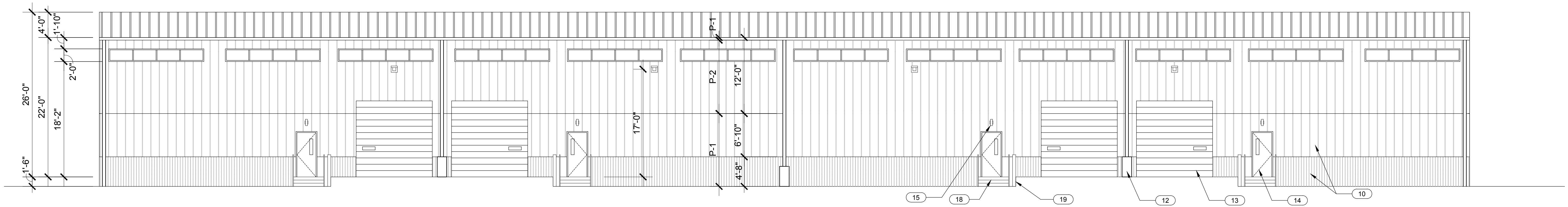
**A2.10**

JOB NO. **2200024.00**

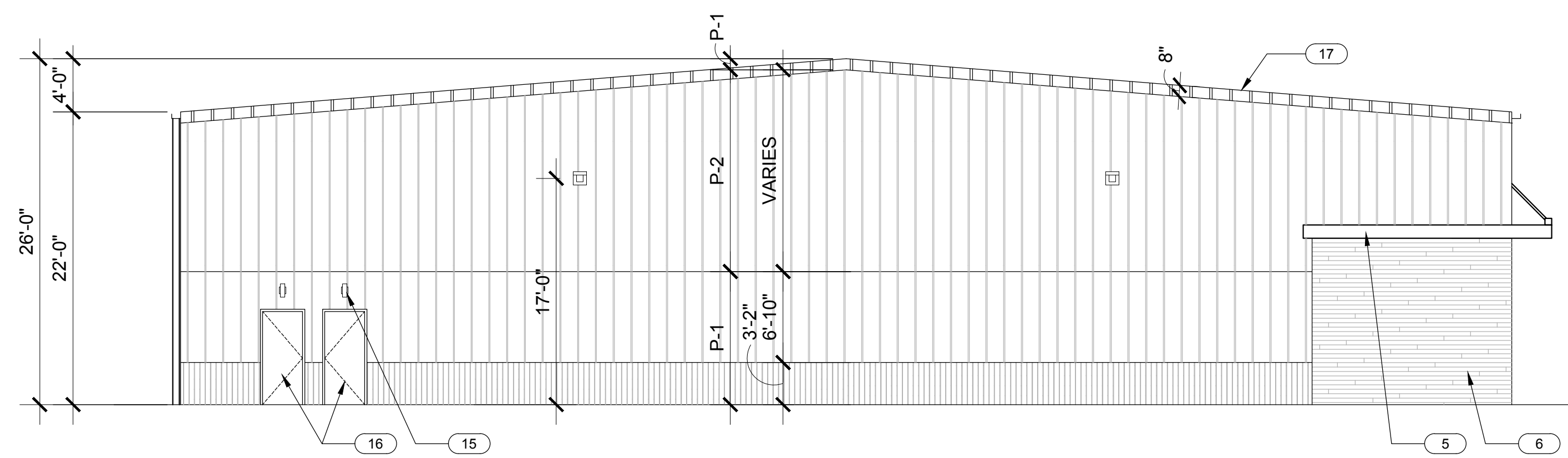
**PRELIMINARY ONLY**



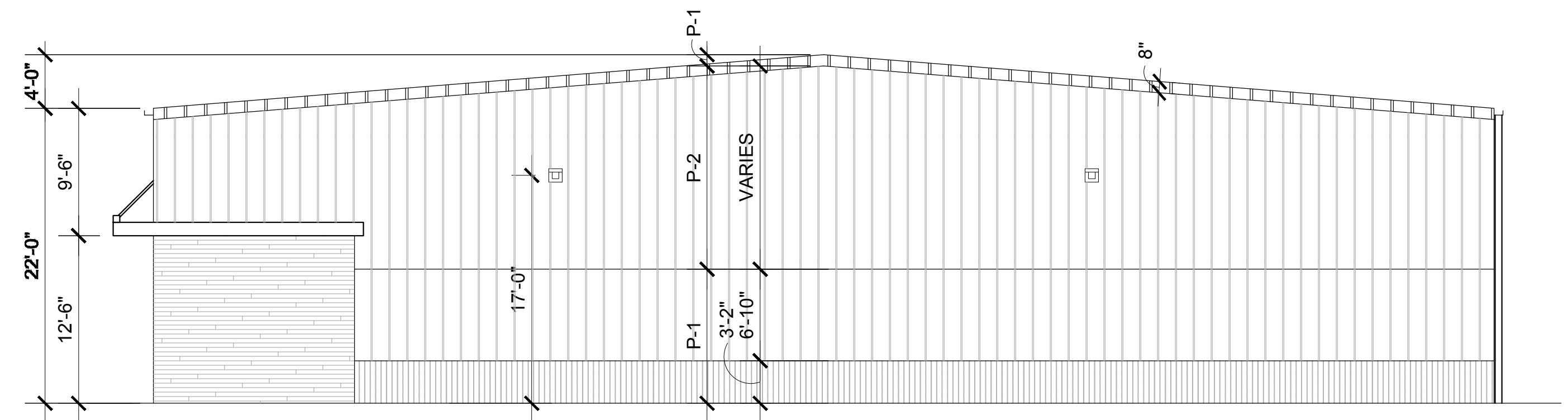
**1 BUILDING ELEVATION - NORTH**  
A2.10 1/8"=1'-0"



**2 BUILDING ELEVATION - SOUTH**  
A2.10 1/8"=1'-0"



**3 BUILDING ELEVATION - EAST**  
A2.10 1/8"=1'-0"



**4 BUILDING ELEVATION - WEST**  
A2.10 1/8"=1'-0"

### GENERAL NOTES

A. ALL DIMENSIONS ARE TO CENTERLINE OF WALL/COLUMN, UNO

### KEYNOTES

- |   |   |   |
|---|---|---|
| 1. PREFINISHED STANDING SEAM METAL ROOF | 9. 15'-0" X 7'-0" FUTURE OPENING  | 16. 3'-0" X 7'-0" HOLLOW METAL INSULATED MAN DOOR (PAINT P-2). PROVIDE CODE REQUIRED SIGNAGE. |
| 2. GUTTER (PAINT P-1)                   | 10. VERTICAL METAL SIDING   | 17. PREFINISHED METAL FASCIA  |
| 3. CLERESTORY WINDOW (15'-0" X 2'-0")   | 11. WALL PACK LIGHT   | 18. METAL STAIRCASE. SEE CIVIL FOR GRADING  |
| 4. CANOPY SUPPORT CABLES (PAINT P-1)    | 12. STEEL DOWNSPOUT COVER (PAINT P-4)   | 19. RETAINING WALL. SEE CIVIL FOR GRADING & DETAILS   |
| 5. STEEL CHANNEL CANOPY (PAINT P-1)     | 13. 12'-0" X 12'-0" DRIVE-IN DOOR (PAINT P-2)                                 | 20. ACCENT LIGHTING   |
| 6. HORIZONTAL WOOD CLADDING SYSTEM      | 14. 3'-0" X 7'-0" HOLLOW METAL INSULATED MAN DOOR W/ VISION PANEL (PAINT P-2) | 21. METAL TRELLIS   |
| 7. BLACK ANODIZED STOREFRONT ENTRY      | 15. EMERGENCY EGRESS LIGHTING   |   |
| 8. 6" DOWNSPOUT (PAINT P-1)             |   |   |

### LEGEND

- |          |                                 |
|----------|---------------------------------|
| #        | KEYNOTE                         |
| [Symbol] | HORIZONTAL WOOD CLADDING SYSTEM |
| [Symbol] | VERTICAL METAL SIDING (MS-1)    |
| [Symbol] | VERTICAL METAL SIDING (MS-2)    |

REVISION SCHEDULE		
Delta	Issued As	Issue Date

SHEET TITLE:  
**BUILDING  
ELEVATIONS -  
SOUTH  
BUILDING**

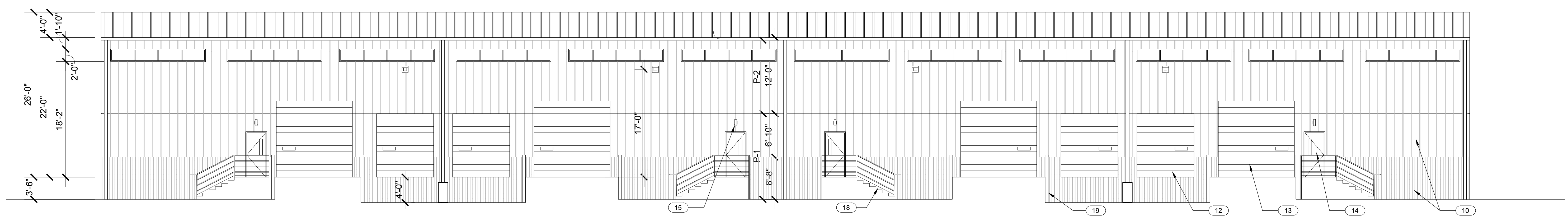
DRAWN BY: BTM  
CHECKED BY: REW  
SHEET:

**A2.20**

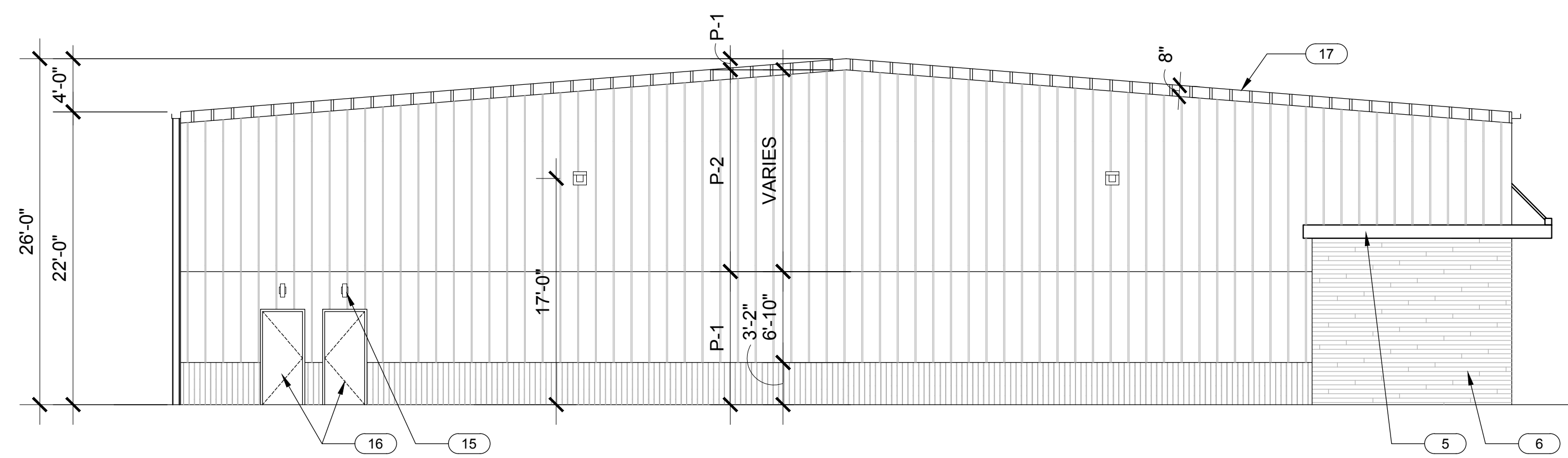
JOB NO. **2200024.00**



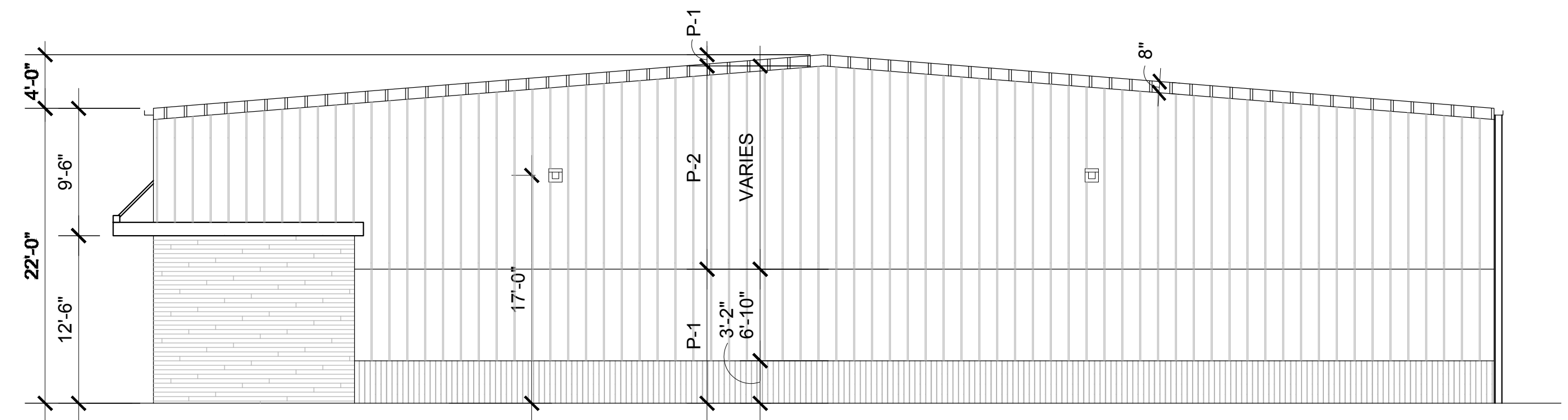
**1 BUILDING ELEVATION - NORTH**  
A2.10 1/8"=1'-0"



**2 BUILDING ELEVATION - SOUTH**  
A2.10 1/8"=1'-0"



**3 BUILDING ELEVATION - EAST**  
A2.10 1/8"=1'-0"



**4 BUILDING ELEVATION - WEST**  
A2.10 1/8"=1'-0"

### GENERAL NOTES

A. ALL DIMENSIONS ARE TO CENTERLINE OF WALL/COLUMN, UNO

### KEYNOTES

- |  |   |   |
|--|---|---|
| 1. PREFINISHED STANDING SEAM METAL ROOF  | 9. 15'-0" X 7'-0" FUTURE OPENING  | 16. 3'-0" X 7'-0" HOLLOW METAL INSULATED MAN DOOR (PAINT P-2). PROVIDE CODE REQUIRED SIGNAGE. |
| 2. GUTTER (PAINT P-1)  | 10. VERTICAL METAL SIDING   | 17. PREFINISHED METAL FASCIA  |
| 3. CLERESTORY WINDOW (15'-0" X 2'-0")  | 11. WALL PACK LIGHT   | 18. METAL STAIRCASE. SEE CIVIL FOR GRADING  |
| 4. CANOPY SUPPORT CABLES (PAINT P-1)   | 12. 9'-0" X 10'-0" DOCK DOOR (PAINT P-2)                                      | 19. RETAINING WALL. SEE CIVIL FOR GRADING & DETAILS   |
| 5. STEEL CHANNEL CANOPY (PAINT P-1)  | 13. 12'-0" X 12'-0" DRIVE-IN DOOR (PAINT P-2)                                 | 20. ACCENT LIGHTING   |
| 6. HORIZONTAL WOOD CLADDING SYSTEM   | 14. 3'-0" X 7'-0" HOLLOW METAL INSULATED MAN DOOR W/ VISION PANEL (PAINT P-2) | 21. METAL TRELLIS   |
| 7. BLACK ANODIZED STOREFRONT ENTRY   | 15. EMERGENCY EGRESS LIGHTING   |   |
| 8. 6" DOWNSPOUT (PAINT P-1). PROVIDE GUARD AT SOUTH ELEVATION BETWEEN DOCK DOORS |   |   |

### LEGEND

- |          |                                 |
|----------|---------------------------------|
| #        | KEYNOTE                         |
| [Symbol] | HORIZONTAL WOOD CLADDING SYSTEM |
| [Symbol] | VERTICAL METAL SIDING (MS-1)    |
| [Symbol] | VERTICAL METAL SIDING (MS-2)    |